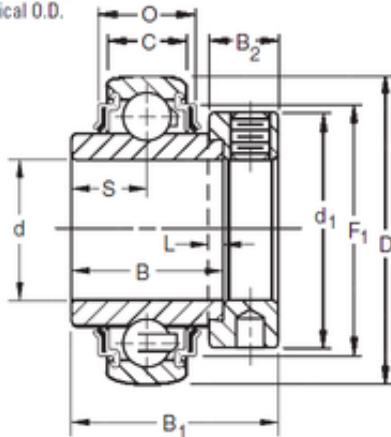




KRRB Two Seals  
Spherical O.D.



31.75 mm x 62 mm x 36,51 mm TIMKEN  
1103KRRB3 Insert Bearings Spherical OD

Bearing No. 1103KRRB3

Size	31.75x62x36.51 mm
Bore Diameter	31.75 mm
Outer Diameter	62 mm
Width	36,51 mm
d	31.75 mm
D	62 mm
B	36,51 mm
C	16 mm
P	17,78 mm
O	19,56 mm
d1	44,4 mm
B1	48,4 mm
B2	15,9 mm
L	4 mm
S	18,3 mm
F1	52,53 mm
Weight	0,349 Kg
Basic dynamic load rating (C)	21,2 kN

1103KRRB3 Bearing 2D drawings and 3D CAD models