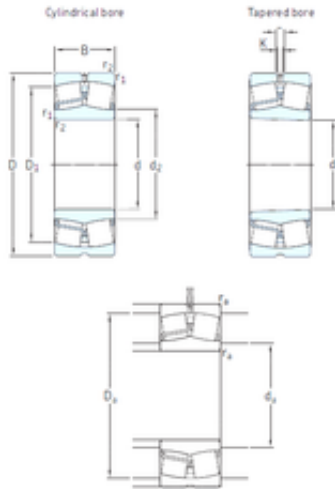




YUKEN Piston Pump Ltd.



SKF Bearing Sweden skf bearing 22210E bearings

Bearing No. 22210E

Size	50x90x23 mm
Bore Diameter	50 mm
Outer Diameter	90 mm
Width	23 mm
d	50 mm
D	90 mm
B	23 mm
C	23 mm
b	5,5 mm
d2	60 mm
r1 min.	1,1 mm
r2 min.	1,1 mm
D1	79 mm
K	3 mm
da min.	57 mm
Da max.	83 mm
ra max.	1 mm
Weight	0,63 Kg
Basic dynamic load rating (C)	104 kN
Basic static load rating (C0)	108 kN
Fatigue load limit (Pu)	11,8
Reference speed	7000 r/min
Limiting speed	9500 r/min
Calculation factor (e)	0,24
Calculation factor (Y0)	2,8

22210E Bearing 2D drawings and 3D CAD models



YUKEN Piston Pump Ltd.

Calculation factor (Y1)	2,8
-------------------------	-----